



Thesis 2007
 •
 Pennsylvania State University
 State College, PA 06802
 •

KHA N DANG, LC INTERN
 ARCHITECTURAL ENGINEERING
 LIGHTING | ELECTRICAL option
 T: 267 229 9370
 E: knd107@gmail.com
 W: www.arch.psu.edu/thesis/portfolio/2007/
 /portfolios/knd107
 C: Dr. Richard Mistrick
 C2: Ted Danneth

NO.	DATE	REVISION

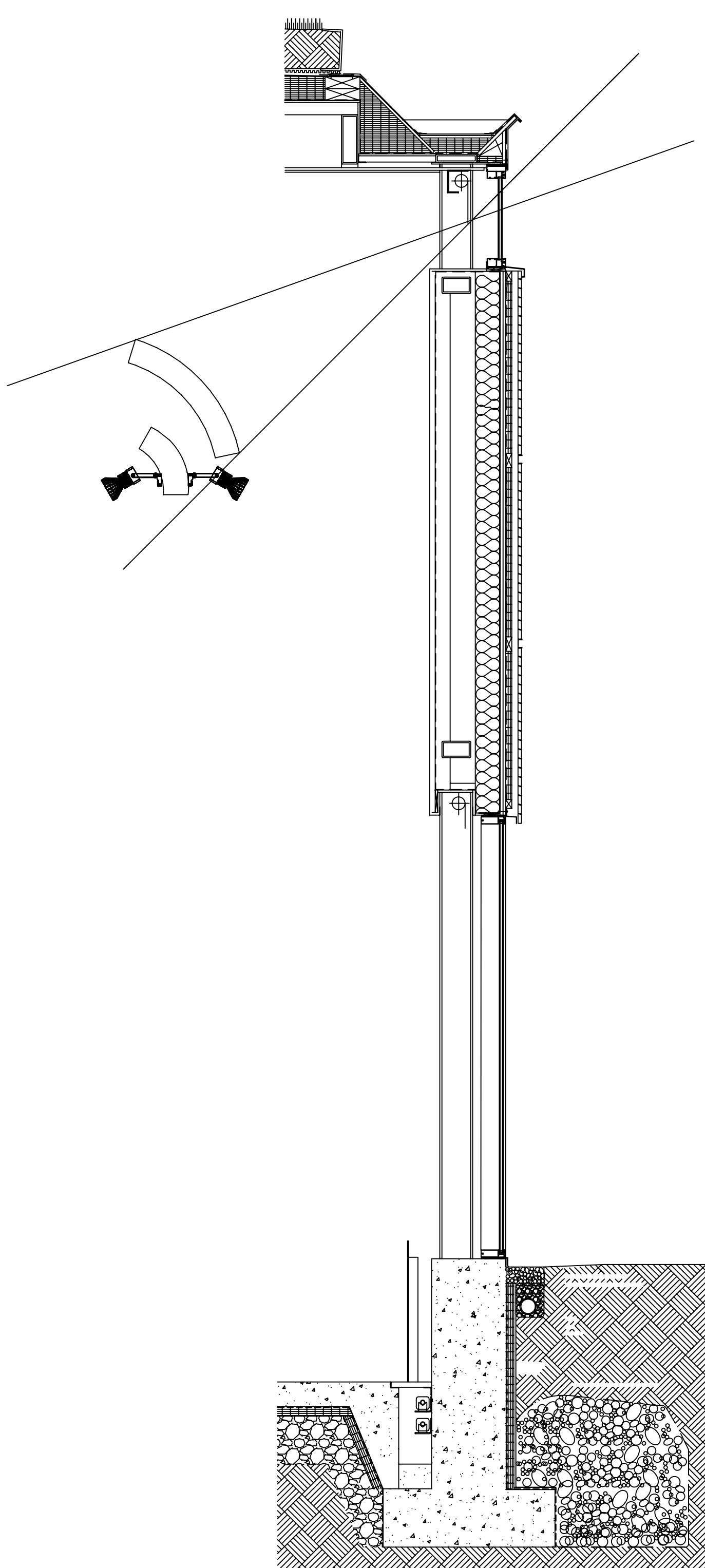
PROJECT NAME
**THESIS 2007
 SCULPTURE BIDG
 PARKING GARAGE**
 BUILDING NAME & ADDRESS
 PROJECT NUMBER

DRAWING TITLE
 GALLERY LIGHTING LAYOUT
 SCALE AS NOTED DRAWN BY KIND
 CDD FILENAME XX-XX-XXX.DWG DATE 03/11/07
 DRAWING NUMBER

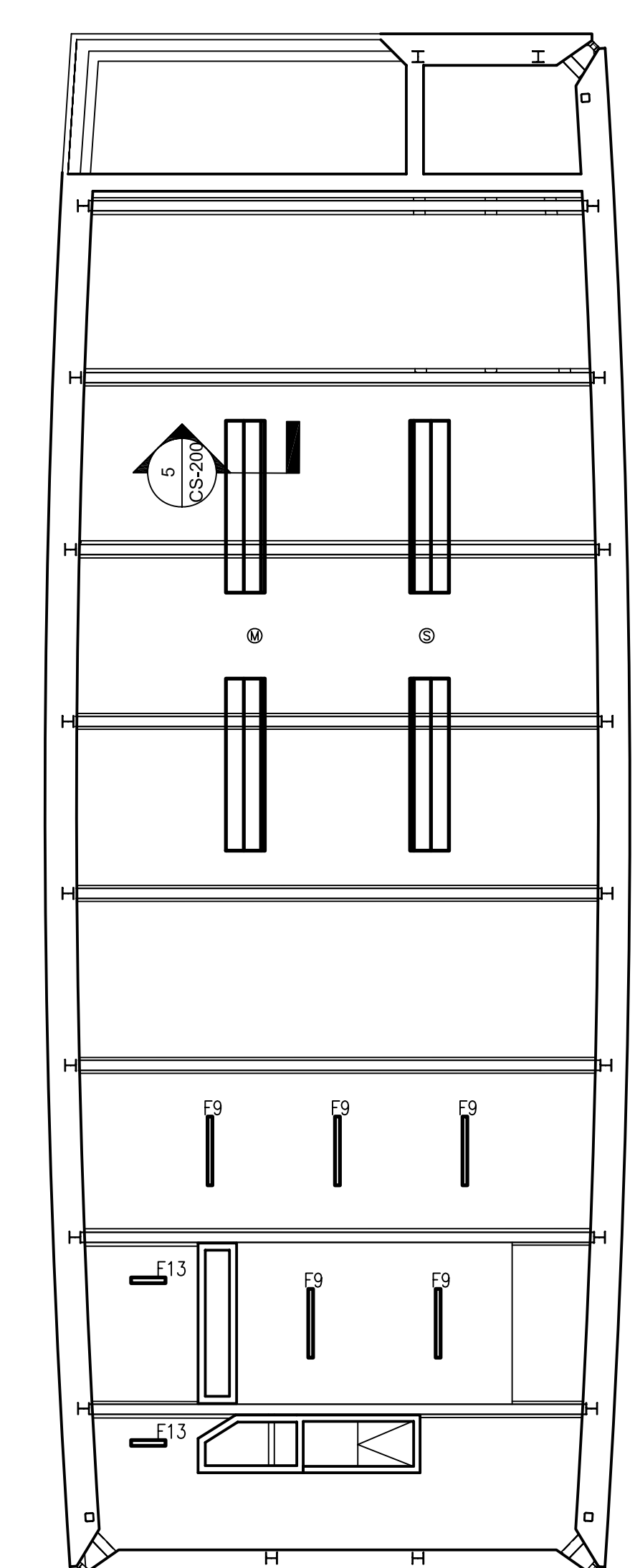
CS-200

BLOCKS DIRECT SUNLIGHT FROM CLERESTORIES CONSTRUCTION HIDES FIXTURES
 TRACK FIXTURES MAY BE MOUNTED ON EITHER SIDE
 RECESSED FLUORESCENT FIXTURE PROVIDES EGRESS LIGHTING

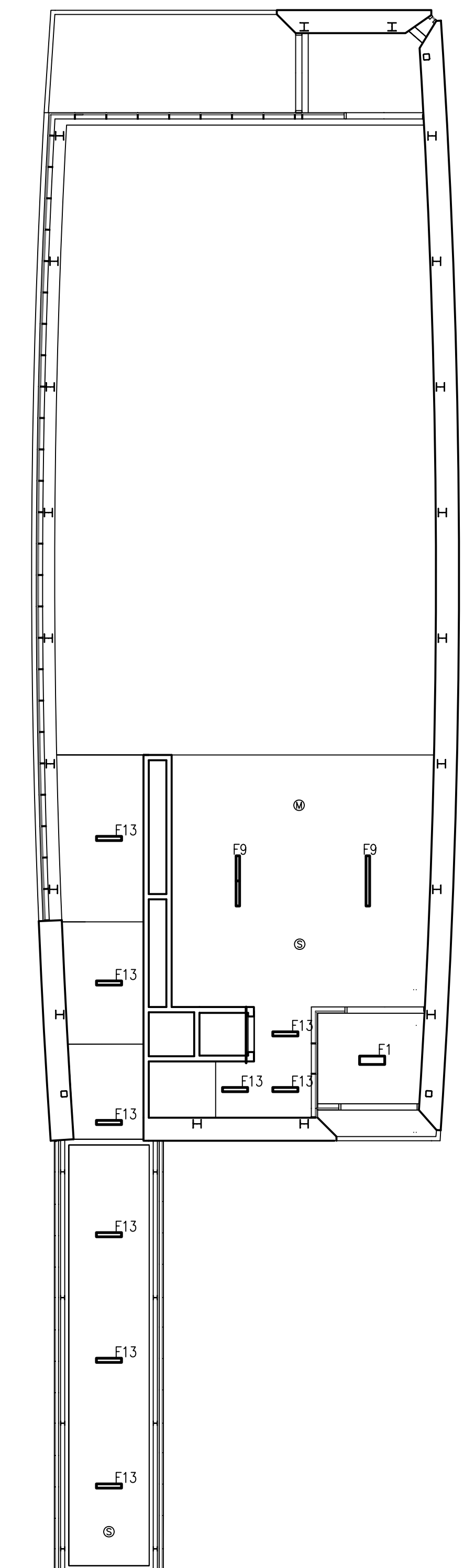
5 CUSTOM HOUSING DETAIL - ELEVATION
 CS-200 1/4" = 1'-0"



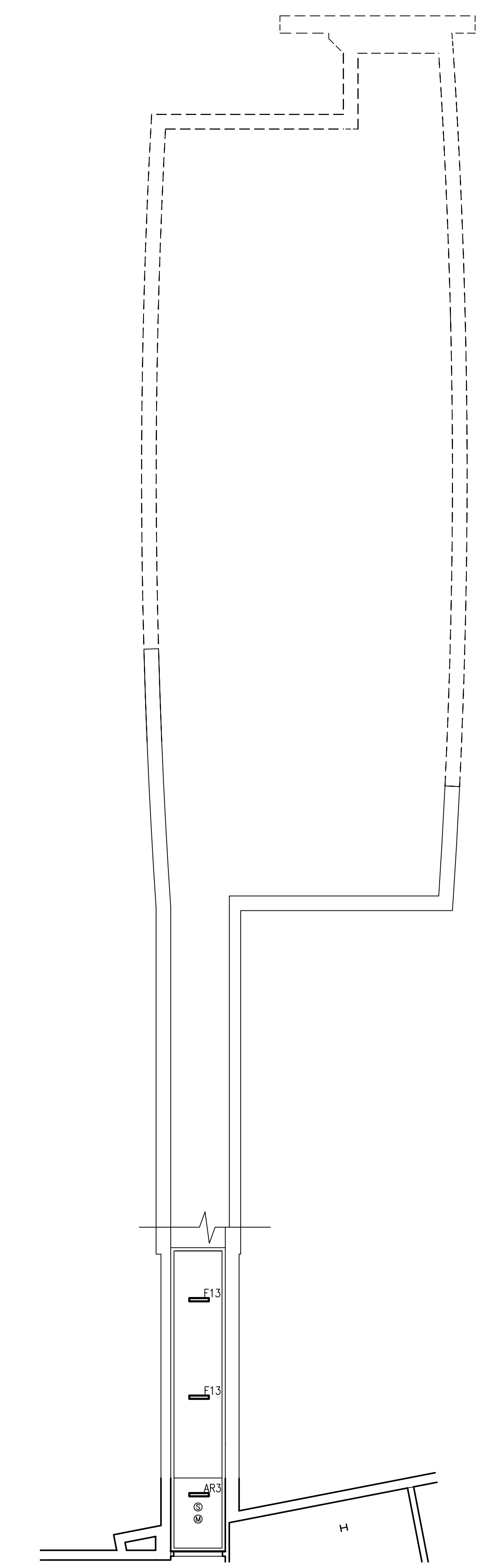
4 CUSTOM FIXTURE DESIGN
 CS-200 1/2" = 1'-0"



3 MEZZANINE REFLECTED CEILING PLAN
 CS-200 1/8" = 1'-0"



2 1ST FLOOR GALLERY REFLECTED CEILING PLAN
 CS-200 1/8" = 1'-0"



1 BASEMENT REFLECTED CEILING PLAN
 CS-200 1/8" = 1'-0"

NOTE:
 While great efforts have been taken to provide accurate and complete information, please be aware that the information contained herewith is considered a work-in-progress for this thesis project. Modifications and changes related to the original building designs and construction methodologies for this senior thesis project are solely the interpretation of Kha N. Dang. Changes and discrepancies in no way imply that the original design contained errors or was flawed. Differing assumptions, code references, requirements, and methodologies have been incorporated into this thesis project; therefore, investigation results may vary from the original design.

NOT FOR CONSTRUCTION